

# P200 Pressure Regulator

## Features

- Minimize Sudden Downstream Load Change
- Wide Pressure Ranges
- P202 has internal relief valve for overpressure protection

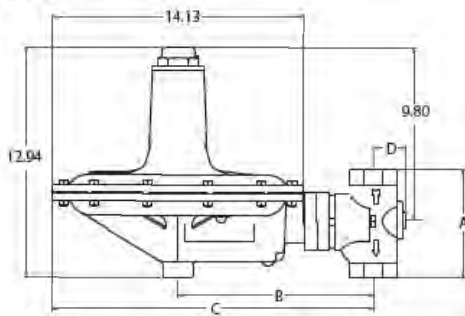
The P200 Series Pressure Regulator is a manual self-operating, spring loaded, adjustable regulator.

The P200 Series is used in applications where pressure reduction is required.

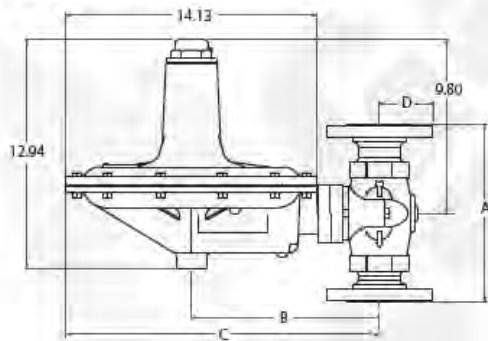
The P200 will reduce the risk of “shock” from abrupt changes in downstream conditions. This can help prevent safety equipment from shutting an operation down.



**P200 Standard**



**P200 Flanged**



## Dimensions

Body Size	A		B	C	D		
	Inches	NPT			125 FF Flange*	NPT	125 FF Flange*
1.25	6.13		11.03	18.09	1.85		
1.5	6.13		11.03	18.09	1.85		
2	6.13	10	10.59	17.66	2.15	3	3

- Valve Body Size: 2” NPT, 2” 150# RF Flange
- Vent Size: 1” NPT
- Temperature Range: -20°F to 200°F
- Approximate Weight: 26 lbs.
- 125 PSI Maximum Inlet Pressure

Maximum Pressures			
Orifice Inches	Versions	Pressure Range "WC or PSIG	Maximum Inlet Pressure PSIG
1/4"			125
3/8"			125
1/4"			100
3/4"			60
1"	O		25
	H		20
	K		30
1-3/16"	O		13
		1 - 2 PSIG	14
	H	1.5 - 3.25 PSIG	14
		2 - 5 PSIG	20
	K	2 - 5.5 PSIG	20
	4 - 10 PSIG	25	

Outlet Spring Pressure Ranges				
Model	Spring Ranges		Spring Color	Part Number
	W.C. or PSI	Bar		
P201 and P202	2 - 4.5 W.C.	0.005 - 0.011	Brown	655-697-002
	3.5- 6.5 W.C.	0.009 -0.016	Red	655-697-003
	5 - 9 W.C.	0.012 - 0.022	Black	655-697-004
	8.5 - 18 W.C.	0.021 - 0.045	White	655-697-005
	14 - 30 W.C.	0.035 - 0.075	Dark Green	655-697-006
P201H and P202H	1 - 2 PSI	0.069 - 0.138	Dark Blue	655-697-007
	1.5 3.25 PSI	0.103 - 0.224	Orange	655-697-008
	2 - 5 PSI	0.138 - 0.345	Yellow	655-697-009
P201K	2 - 5.5 PSI	0.138 - 0.379	Green	655-659-003
	4 - 10 PSI	0.276 - 0.689	Grey	655-697-010



# Capacity Table- P200 Regulator

## Propane Gas Capacities BTU/Hr (1.50 Specific Gravity)

7" w.c. SET POINT (1" Droop)						
Inlet PSIG	Orifice Size, Inches					
	1/4"	3/8"	1/2"	3/4"	1"	1 3/16"
0.5				2,362,500	2,835,000	3,150,000
1	630,000	1,260,000	1,890,000	3,622,500	4,410,000	5,197,500
1.5	787,500	1,653,750	2,520,000	4,882,500	5,670,000	7,087,500
2	945,000	2,047,500	3,150,000	6,300,000	7,087,500	9,450,000
5	1,575,000	3,307,500	5,512,500	12,127,500	14,805,000	14,805,000
13	2,598,750	5,512,500	10,080,000	15,750,000	31,815,000	33,390,000
25	3,780,000	8,190,000	16,222,500	31,500,000	18,585,000	
60	7,008,750	14,175,000	18,900,000	32,602,500		

11" w.c. SET POINT (2" Droop)						
Inlet PSIG	Orifice Size, Inches					
	1/4"	3/8"	1/2"	3/4"	1"	1 3/16"
0.5				1,260,000	2,362,500	2,520,000
1	630,000	1,181,250	1,732,500	2,835,000	3,937,500	4,095,000
1.5	787,500	1,575,000	2,283,750	3,937,500	5,355,000	5,276,250
2	945,000	1,890,000	2,677,500	4,882,500	6,615,000	5,906,250
5	1,575,000	3,150,000	4,725,000	11,497,500	11,025,000	13,387,500
13	2,520,000	5,355,000	9,765,000	16,301,250	27,798,750	28,507,500
25	3,780,000	8,898,750	16,301,250	30,397,500	36,933,750	
60	7,008,750	17,876,250	30,397,500	31,815,000		

14" w.c. SET POINT (2" Droop)						
Inlet PSIG	Orifice Size, Inches					
	1/4"	3/8"	1/2"	3/4"	1"	1 3/16"
1	708,750	1,102,500	1,732,500	2,362,500	2,677,500	4,252,500
1.5	866,250	1,338,750	1,890,000	2,992,500	4,252,500	5,670,000
2	945,000	1,575,000	2,992,500	4,410,000	5,985,000	5,985,000
5	1,653,750	2,756,250	4,410,000	6,300,000	8,347,500	16,695,000
13	2,756,250	5,827,500	8,977,500	22,680,000	28,350,000	29,137,500
25	4,095,000	8,977,500	16,065,000	28,350,000	40,005,000	
60	7,560,000	17,167,500	17,325,000	30,870,000		

# Capacity Table- P200 Regulator

(continued)

## Propane Gas Capacities BTU/Hr (1.50 Specific Gravity)

2 PSI SET POINT (2% Droop)						
Inlet PSIG	Orifice Size, Inches					
	1/4"	3/8"	1/2"	3/4"	1"	1 3/16"
5	1,575,000	3,386,250	4,331,250	7,875,000	9,765,000	12,442,500
10	2,441,250	4,803,750	7,875,000	13,545,000	20,081,250	21,735,000
15	2,992,500	6,615,000	11,340,000	17,325,000	18,506,250	34,177,500
20	3,622,500	8,032,500	14,490,000	22,365,000	25,200,000	
25	4,095,000	9,292,500	16,852,500	25,830,000	40,005,000	
30	4,725,000	10,395,000	19,057,500	31,027,500	43,942,500	
40	5,827,500	12,915,000	19,215,000	42,840,000		
45	6,457,500	14,175,000	23,940,000	42,840,000		
50	6,930,000	15,277,500	26,617,500	43,155,000		
60	8,032,500	17,797,500	32,760,000	43,155,000		

5 PSI SET POINT (2% Droop)						
Inlet PSIG	Orifice Size, Inches					
	1/4"	3/8"	1/2"	3/4"	1"	1 3/16"
10	1,575,000	2,205,000	2,598,750	4,567,500	5,512,500	7,087,500
15	2,047,500	3,307,500	4,410,000	6,142,500	8,662,500	9,213,750
20	2,598,750	4,331,250	5,670,000	8,347,500	11,655,000	
25	3,228,750	5,355,000	6,930,000	10,710,000	11,655,000	
30	3,780,000	6,300,000	8,662,500	12,442,500	13,151,250	
40	4,882,500	8,505,000	11,340,000	14,647,500		
45	5,118,750	9,607,500	13,072,500	15,513,750		
50	6,063,750	10,552,500	14,805,000	16,773,750		
60	7,008,750	12,915,000	18,112,500	22,916,250		

10 PSI SET POINT (2% Droop)						
Inlet PSIG	Orifice Size, Inches					
	1/4"	3/8"	1/2"	3/4"	1"	1 3/16"
15	708,750	866,250	1,338,750	2,047,500	2,441,250	2,913,750
20	708,750	1,575,000	1,732,500	2,756,250	3,465,000	3,780,000
25	866,250	1,968,750	2,520,000	3,622,500	4,252,500	5,591,250
30	1,260,000	2,126,250	2,835,000	4,410,000	4,410,000	
40	1,653,750	2,598,750	3,386,250	5,512,500		
45	2,126,250	2,992,500	4,095,000	5,827,500		
50	2,283,750	3,307,500	4,488,750	6,772,500		
60	2,520,000	3,622,500	4,882,500	6,930,000		