

P133 Pressure Regulator

Applications

The P133 is a direct operated pressure reducing regulator used in commercial and industrial applications such as furnaces and burners where accuracy and sensitivity is critical.

The P133 regulator utilizes a balanced diaphragm design that provides for sensitivity and accuracy.

The P133 is available in a low pressure or high pressure model and a broad range of outlet spring ranges. The P133 is also suitable in pressure monitoring applications.

Specifications

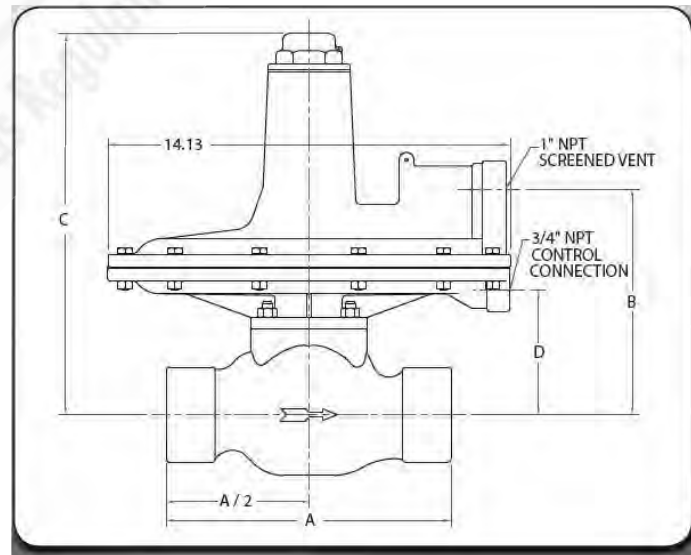
	133L	133H
Maximum Operating Inlet	60 PSIG	60 PSIG
Maximum Emergency Inlet	125 PSIG	125 PSIG
Maximum Operating Outlet	2 PSIG	10 PSIG
Maximum Emergency Outlet	15 PSIG	15 PSIG
Maximum Over Outlet Pressure	3 PSIG	3 PSIG
Pressure Ranges	See Table 2	
Port Sizes	2 NPT	
Restrictor Collars	25%	
	40%	
	60%	
End Connections	2" NPT (Standard) 125 FF Flange (Iron Only)	
Temperature Range	-40° F to 200° F	
	-40° C to 93° C	
Approximate Weight	35 lbs. (15.9 kg)	

Outlet Spring Ranges			
Model	Spring Ranges W.C. or PSI	Spring Color	Part Number
P133 L & H	2" - 4" W.C.	Brown	655-697-002
	3.5" - 6" W.C.	Red	655-697-003
	5" - 9" W.C.	Black	655-697-004
	8.5" - 18" W.C.	White	655-697-005
	14" - 28" W.C.	Green	655-697-006
P133 H Version Only	0.75 - 2 PSI	Dark Blue	655-697-007
	1.5 - 3.25 PSI	Orange	655-697-008
	2 - 5 PSI	Yellow	655-730-000
	5 - 10 PSI	Blue Stripe	655-659-004



P133 Dimensions

A			B	C	D		
2" NPT	12.5 FF	150 RF			2" NPT	12.5 FF	150 RF
10	10	10	7.91	13.36	4.36	4.36	4.36



Capacity Table - P133 Regulator

Propane Gas Capacities BTU/Hr (1.50 Specific Gravity)

P133L Unrestricted Flow Capacities in Millions of BTU Propane

Outlet Pressure Setting and Outlet Pressure Range											
Inlet Pressure	4" wc 2 - 4" wc	6" wc 3.5 - 6" wc	7" wc 5 - 9" wc	14" wc 8.5 - 18" wc		14" wc 14 - 28" wc		1 psig 14 - 28" wc		2 psig 0.75 - 2 psig	
	1" wc Droop	1" wc Droop	1" wc Droop	1" wc Droop	2" wc Droop	1" wc Droop	2" wc Droop	10% Droop	20% Droop	10% Droop	20% Droop
1	22	20	18	7	13						
2	32	31	26	12	23			18	25		
3	40	38	33	18	30			24	33	19	29
5	55	51	50	25	44	22	36	37	49	32	44
10	81	81	75	53	70	40	59	59	69	59	72
20	122	121	124	108	119	94	108	110	121	97	119
30	159	157	157	143	152	137	146	141	159	137	159
40	195	192	195	171	182	168	181	173	192	165	190
50	229	226	228	204	214	207	215	200	228	195	228
60	267	264	261	244	253	239	248	234	263	228	267

P133H Unrestricted Flow Capacities in Millions of BTU Propane

Outlet Pressure Setting and Outlet Pressure Range										
Inlet Pressure	3 psig 1.5 - 3 psig		2 psig 2 - 5 psig		5 psig 2 - 5 psig		5 psig 5 - 10 psig		10 psig 5 - 10 psig	
	10% Droop	20% Droop	10% Droop	20% Droop	10% Droop	20% Droop	10% Droop	20% Droop	10% Droop	20% Droop
3			10	18						
5	22	34	17	28						
7	33	48	20	34	24	37	14	23		
10	44	66	23	42	37	55	22	34		
15	63	89	40	61	55	80	29	49	33	55
20	81	113	55	81	72	105	37	64	48	80
30	119	151	77	114	107	149	55	91	69	116
40	154	187	103	152	138	184	69	114	88	152
50	185	222	132	176	162	217	89	140	116	184
60	214	259	163	207	192	245	102	166	143	214

