



# Gas Essentials<sup>INC</sup>

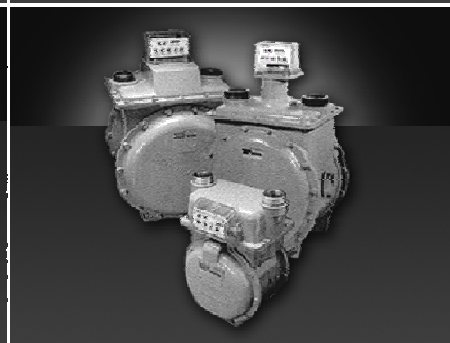
Natural and Propane Gas Regulation, Measurement and Controls



Distributed By



## Meter Accessories



[www.gasesentials.com](http://www.gasesentials.com)

# Meter Accessories



## Meter Flange Kits ▼

Flange kits include all the equipment necessary for mounting a meter in a pipeline. A kit consists of forged steel flanges, zinc plated bolts, gasket strainer and neoprene gasket.

Available for Dattus, Roots and •  
SZ Wafer Style Meters



## Flange Gaskets ▼

High quality neoprene gaskets, full-face or ring type, are required to fit between 125/150 lbs. flanges.

Available for any meter, regulator, •  
or valve with flanged connections.



## ▼ Meter Bars

Meter bars are designed to protect the gas meter from piping stresses and ensure a solid installation

• Available for Metris 250 Meters only



## ▼ Gasket Strainers

A gasket strainer helps protect against potential damage to measurement and regulation equipment caused by occasional introduction of weld slag, pipe shavings or other debris. Utilizing a 20 or 80 mesh screen and available from 2" to 8", the use of a gasket strainer comes highly recommended for clean natural gas service.

• Available for Dattus, Roots and  
SZ Wafer Style Meters, as well as any  
flanged regulators or valves.

# Meter Accessories



175-LWN ▲



175-LWIN ▲



Ultraseal® Valve ▲

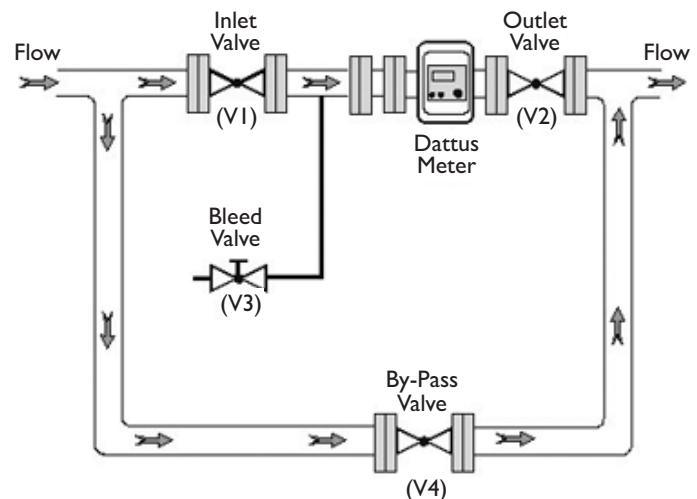
## Meter Valves

Also known as “Lockwing” gas valves, they are ideal for building a meter set with a bypass.

### Features

- Forged Brass Construction
- 100% Full Port Ball Valve
- 175 PSIG Rated
- Tamper Resistant Lockwing Cap
- Hostaflo - TFM 1600 Seats
- Double Viton Stem O-Rings
- 100% Leak Tested
- CSA Painted Gray Finish
- Temperature Range: -40°F to 366°F  
(-40°C to 185°C)
- Meets or exceeds applicable part of Dot 192 and ANSI B16.33
- CSA 3.16 Certified
- Size Range: 1/2” to 2” NPT
- Also available with an insulated union end: 3/4” to 1-1/4” NPT

### Example of a Commercial Meter Set



Other products available from



.....  
**Regulators for Natural & Propane Gas  
High Pressure Regulators up to 5000 PSI  
Filter Regulators & Gauges**



.....  
**Seismic "Earthquake" Valves  
available from 3/4" to 8"**

**MILLIKEN**

.....  
**Lubricated two way & three way Plug Valves  
CSA/CGA Approved**

Manufacturer standard warranty applies. For a copy please contact us.